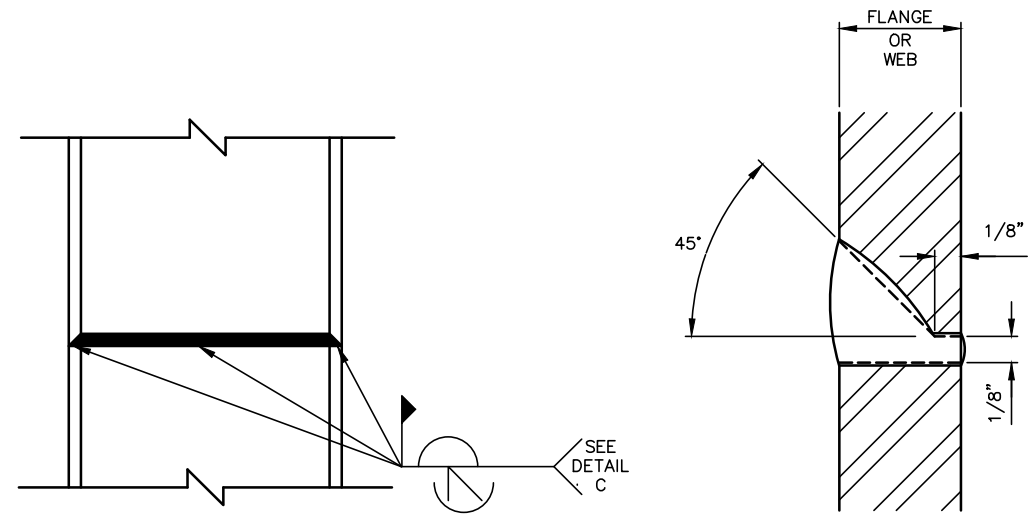


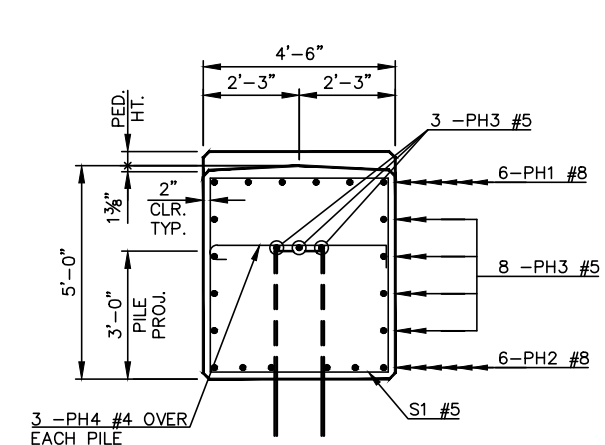
DESCRIPTION	REVISIONS	DATE



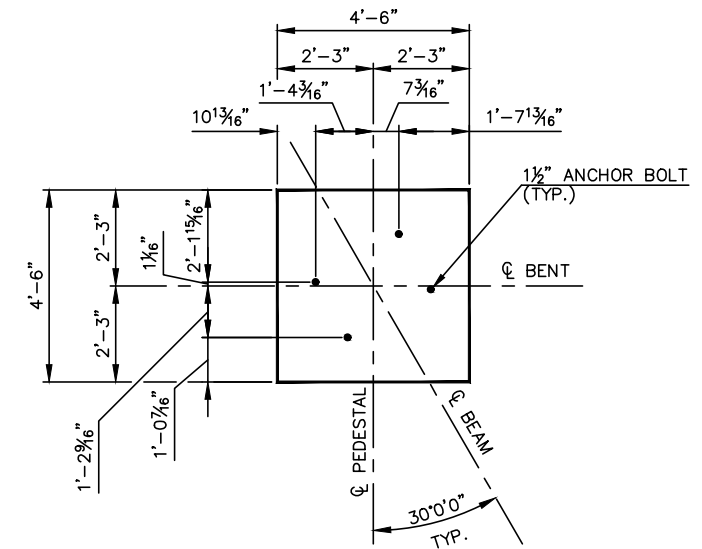
WELD DETAIL

DETAIL C

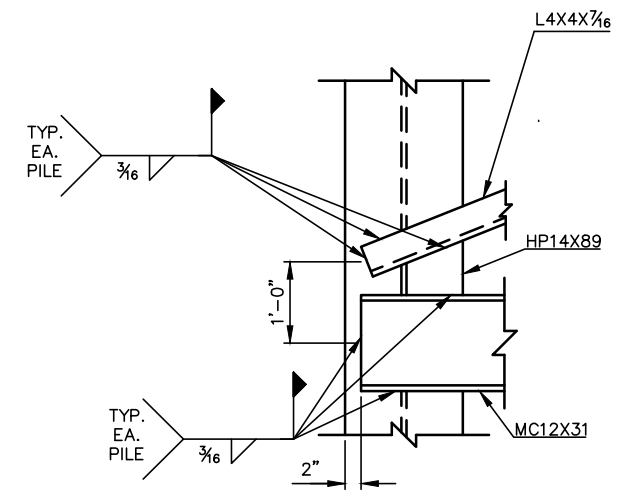
PILE SPLICE DETAIL



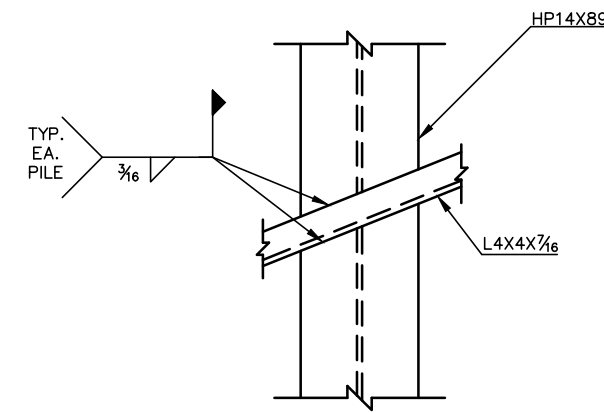
TYPICAL SECTION THRU CAP



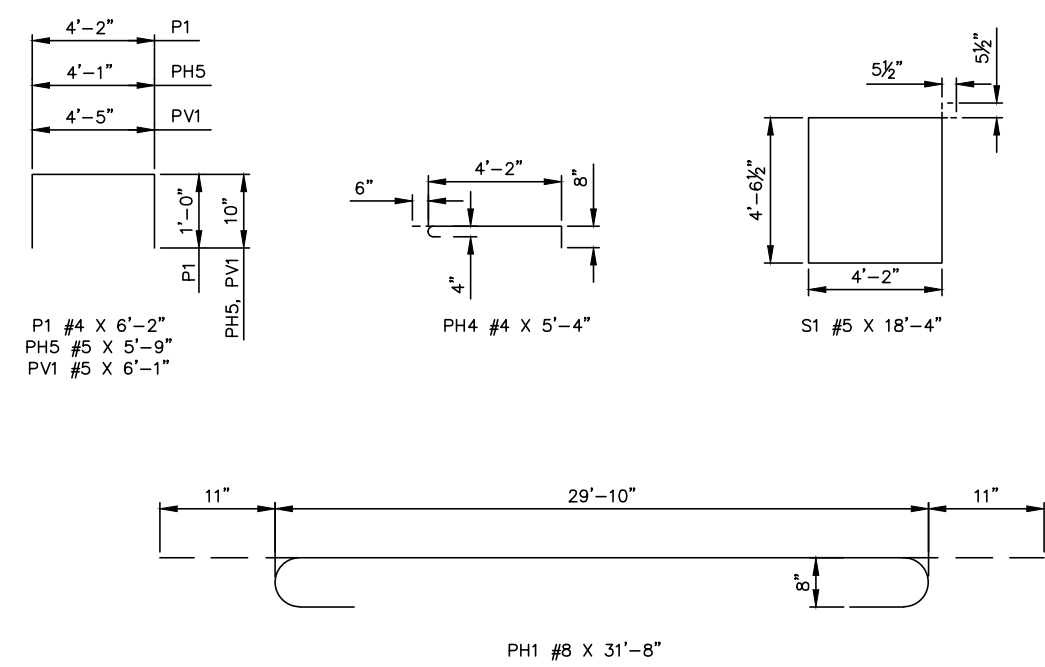
PEDESTAL PLAN



DETAIL A



DETAIL B



PLOTTED: Friday, August 04, 2017 @ 11:45AM G:\projects\2015\1503010824-CED 8 Texas County Sand Creek Pier Design\5-Civil\CAD\Structural\BENT DETAILS 2 OF 2.dwg

MKEC ENGINEERING INC.
 JONATHAN T. HISEY
 OKLA. REG. NO. 23127
 CA-2958
 EXP. 6/30/17
 4-7-16

DESIGN	JTH	NS-63 OVER SAND CREEK	TEXAS COUNTY
DRAWN	TRM	BENT DETAILS SHEET 2 OF 2	
CHECKED	J.T.H.		
APPROV.	J.T.H.		
SQUAD	MKEC ENG.		
		JOB PIECE NO. 30490(04)	SHEET NO. B003